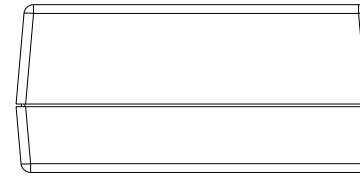
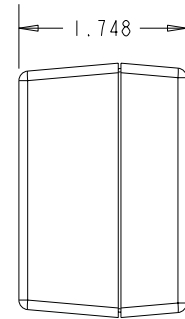
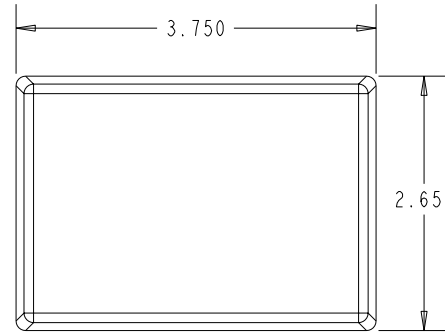
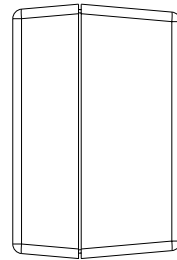
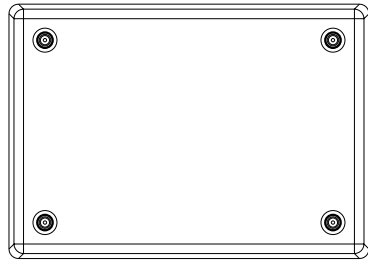
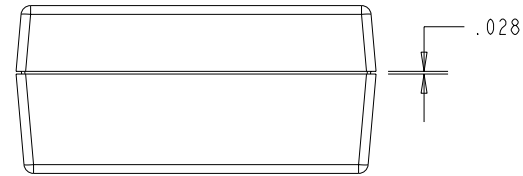


NOTES: UNLESS OTHERWISE SPECIFIED

1. DIMENSIONS TO BE SYMETRICAL ABOUT CENTERLINES WITHIN .003 T.I.R.
2. CORNERS DRAWN SHARP TO BE R.005 MAXIMUM.
3. EXTERIOR SURFACES TO BE MEDIUM MATTE FINISH.
4. INTERIOR SURFACES TO BE FINE MATTE FINISH
5. ALL INSIDE RADII TO BE R.010. ALL OUTSIDE RADII TO BE .020 MAX.
6. 5 DEGREES DRAFT IN THE DIRECTION OF PULL IS PERMISSIBLE.
7. MATERIAL: HIGH IMPACT ABS.
8. ASSEMBLY HARDWARE PROVIDED.
9. CUSTOM INSERTS MAY BE AVAILABLE.
10. SURFACE PROFILES AND ELECTRONIC DATA MAY BE OBTAINED FROM:

Unibox Enclosures
 3620 Sacramento Dr. Suite 101
 San Luis Obispo CA 93401
 (805) 785-0900
 www.uniboxinfo.com

REVISIONS				
REV	BY	DESCRIPTION	DATE	APPROVED
1	JDG	Preliminary Release	31-Mar-03	



BILL OF MATERIALS			
	P/N	DESCRIPTION	COLOR
1	122	Standard Tall Cover	
2	120	Standard Base	
3		#4 Self-Tapping Screws	
4			

NOTICE: THE INFORMATION AND DATA CONTAINED HEREIN IS CONSIDERED PROPRIETARY TO UNIBOX ENCLOSURES, AND SHALL REMAIN THE EXCLUSIVE PROPERTY OF UNIBOX ENCLOSURES. THE HOLDER WILL ASSUME CUSTODY AND CONTROL THAT THIS DOCUMENT WILL NOT BE COPIED, REPRODUCED, OR DISCLOSED WITHOUT THE EXPRESS WRITTEN CONSENT OF UNIBOX ENCLOSURES. POSSESSION OF THIS DOCUMENT DOES NOT CONSTITUTE A GRANT TO MANUFACTURE ANY ITEMS.
DO NOT SCALE DRAWING

UNLESS OTHERWISE SPECIFIED DIMENSIONS ARE IN INCHES TOLERANCES ARE:

X.XX = .015
 X.XXX = .010
 X° = 1°

MATERIAL
 High Impact ABS

FINISH
 Standard

THIRD ANGLE
 PROJECTION

COMPANY
 Sunflower Mfg.

APPROVALS

DRAWN JDG

CHECK

ENG.

SCALE 0.500

FILE
 100122-0013.r1.PRT

UNIBOX ENCLOSURES

3620 SACRAMENTO DR. Suite 101, SAN LUIS OBISPO, CA 93401
 PHONE (805) 785-0900 FAX 805-785-0948

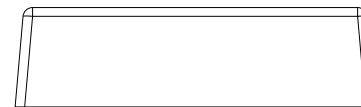
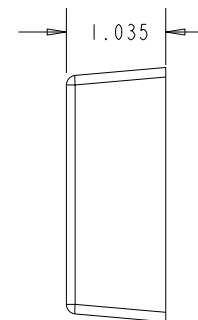
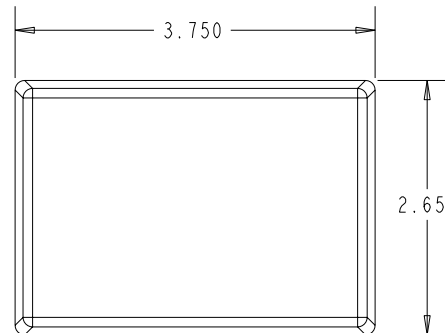
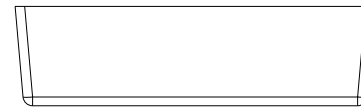
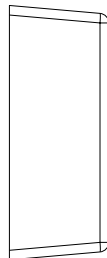
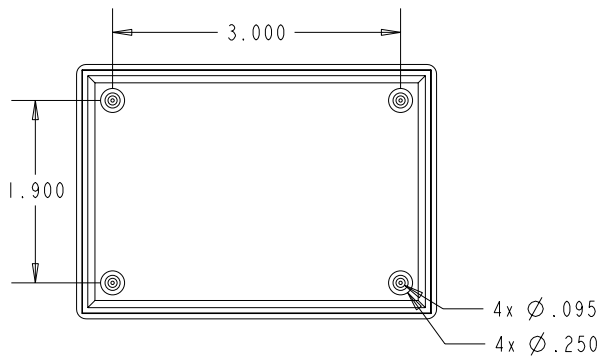
Enclosure Assembly
 Standard Unibox P/N 122

SIZE
 A

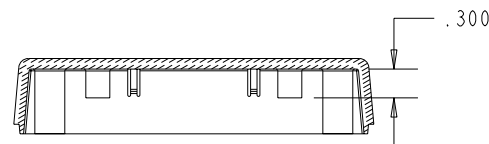
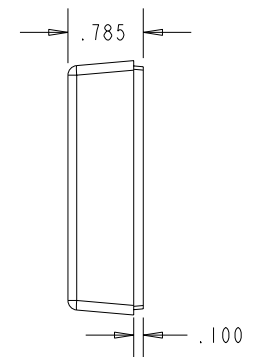
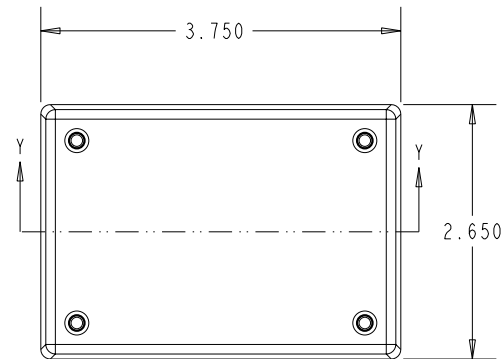
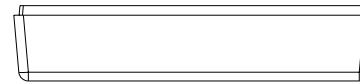
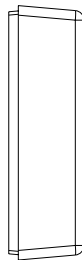
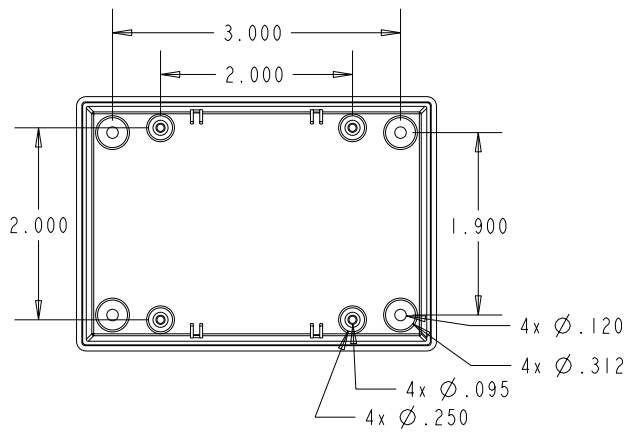
DRAWING NO.
 100122-0013

SHEETS
 1 OF 3

REV
 1



<p>NOTICE: THE INFORMATION AND DATA CONTAINED HEREIN IS CONSIDERED PROPRIETARY TO UNIBOX ENCLOSURES, AND SHALL REMAIN THE EXCLUSIVE PROPERTY OF UNIBOX ENCLOSURES. THE HOLDER WILL ASSUME CUSTODY AND CONTROL THAT THIS DOCUMENT WILL NOT BE COPIED, REPRODUCED, OR DISCLOSED WITHOUT THE EXPRESS WRITTEN CONSENT OF UNIBOX ENCLOSURES. POSSESSION OF THIS DOCUMENT DOES NOT CONSTITUTE A GRANT TO MANUFACTURE ANY ITEMS.</p> <p>DO NOT SCALE DRAWING</p>	<p>UNLESS OTHERWISE SPECIFIED DIMENSIONS ARE IN INCHES TOLERANCES ARE:</p> <p>X.XX = .015 X.XXX = .010 X° = 1°</p>		<p>COMPANY Sunflower Mfg.</p>		<p>UNIBOX ENCLOSURES 3620 SACRAMENTO DR. Suite 101, SAN LUIS OBISPO, CA 93401 PHONE (805) 785-0900 FAX 805-785-0948</p>	
	<p>MATERIAL High Impact ABS</p>		<p>APPROVALS</p>	<p>DATE</p>		
	<p>FINISH Standard</p>		<p>DRAWN J.D.G.</p>	<p>31-Mar-03</p>		<p>Enclosure Assembly Standard Unibox P/N 122</p>
	<p>THIRD ANGLE PROJECTION</p>		<p>ENG.</p>	<p>SCALE 0.500</p>		
	<p>FILE 100122-0011.r1.PRT</p>		<p>SIZE A</p>	<p>DRAWING NO. 100122-0013</p>		
				<p>SHEETS 2 OF 3</p>	<p>REV 1</p>	



SECTION Y-Y

<p>NOTICE: THE INFORMATION AND DATA CONTAINED HEREIN IS CONSIDERED PROPRIETARY TO UNIBOX ENCLOSURES, AND SHALL REMAIN THE EXCLUSIVE PROPERTY OF UNIBOX ENCLOSURES. THE HOLDER WILL ASSUME CUSTODY AND CONTROL THAT THIS DOCUMENT WILL NOT BE COPIED, REPRODUCED, OR DISCLOSED WITHOUT THE EXPRESS WRITTEN CONSENT OF UNIBOX ENCLOSURES. POSSESSION OF THIS DOCUMENT DOES NOT CONSTITUTE A GRANT TO MANUFACTURE ANY ITEMS.</p> <p>DO NOT SCALE DRAWING</p>	<p>UNLESS OTHERWISE SPECIFIED DIMENSIONS ARE IN INCHES TOLERANCES ARE:</p> <p>X.XX = .015 X.XXX = .010 X° = 1°</p>		<p>COMPANY Sunflower Mfg.</p>		<p>UNIBOX ENCLOSURES 3620 SACRAMENTO DR. Suite 101, SAN LUIS OBISPO, CA 93401 PHONE (805) 785-0900 FAX 805-785-0948</p>	
	<p>MATERIAL <i>High Impact ABS</i></p>		<p>APPROVALS</p>		<p>DATE</p>	
	<p>FINISH <i>Standard</i></p>		<p>DRAWN J.D.G.</p>		<p>31-Mar-03</p>	
	<p>THIRD ANGLE PROJECTION</p>		<p>ENG.</p>		<p>SCALE 0.500</p>	
<p>FILE 100122-0012.r1.PRT</p>			<p>SIZE A</p>		<p>DRAWING NO. 100122-0013</p>	
					<p>SHEETS 3 OF 3</p>	
					<p>REV 1</p>	

Enclosure Assembly
Standard Unibox P/N 122